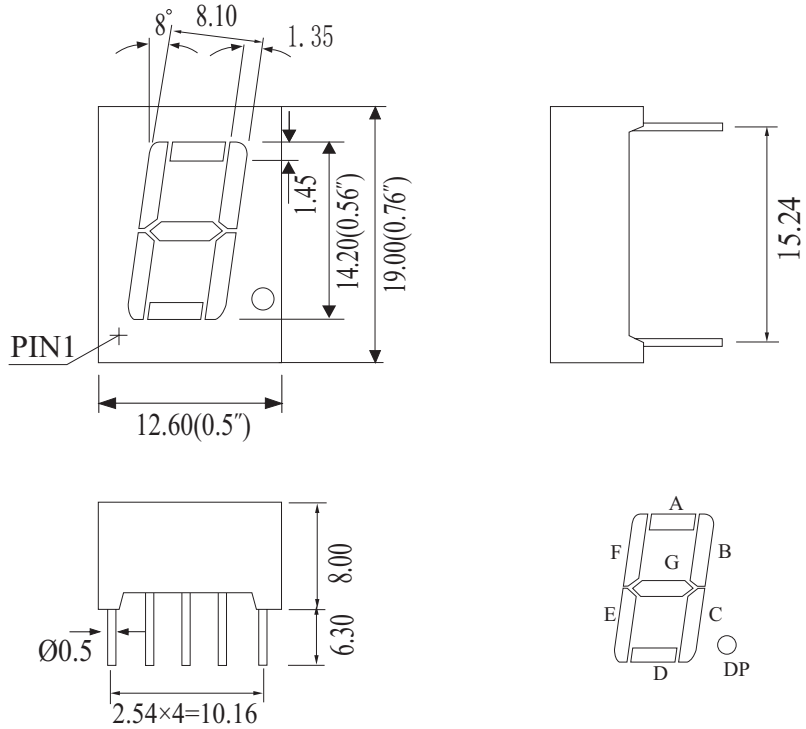


## PACKAGE DIMENSION

**E10561**



UNIT: MM(INCH) TOLERANCE:  $\pm 0.25(0.01'' )$

## INTERNAL CIRCUIT DIAGRAM

