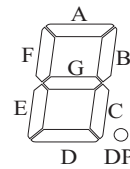
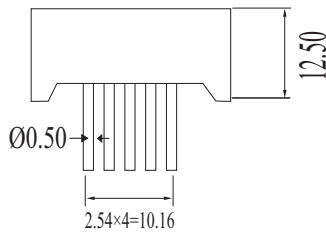
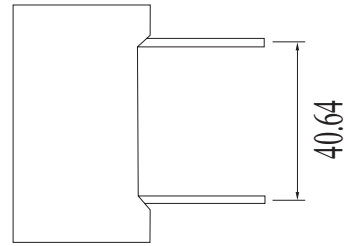
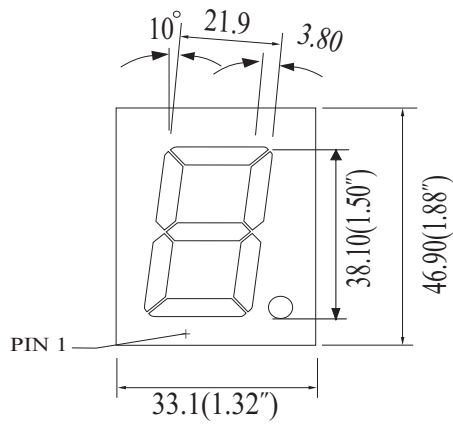


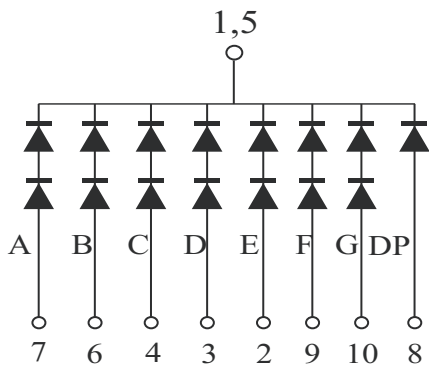
PACKAGE DIMENSION

E11501

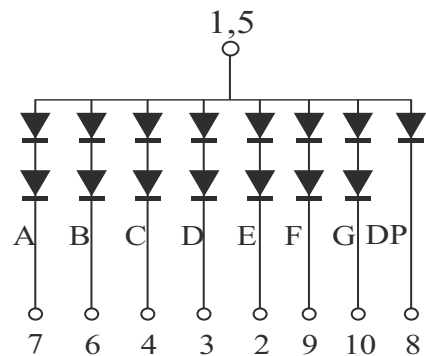


UNIT: MM(INCH) TOLERANCE: $\pm 0.25(0.01)$ "

INTERNAL CIRCUIT DIAGRAM



CODE J



CODE G