

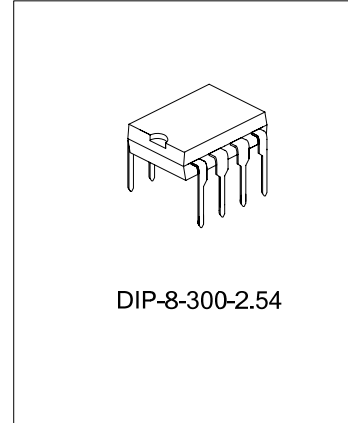
CURRENT MODE PWM CONTROLLER WITH BUILT-IN HIGH VOLTAGE MOSFET

DESCRIPTION

SD4840/4841/4842/4843/4844 is a current mode PWM controller with low standby power and low start current for power switch. In standby mode, the circuit enters burst mode to reduce the standby power dissipation.

The switch frequency is 67KHz with ± 2.5 KHz jitter frequency for low EMI.

The stress on transformer during power on is reduced by the built-in 15ms soft start circuit to avoid the saturation of transformer. SD4840/4841/4842/4843/4844 includes under voltage lock-out, over voltage protection, leading edge blanking, over current protection and the temperature protection. The circuit will restart automatically until the system is normal after the protection is active.



FEATURES

- * Lower start-up current (Typ.6 μ A)
- * Frequency jitter for low EMI
- * Overcurrent protection
- * Overvoltage protection
- * Undervoltage lockout
- * Built-in temperature protection
- * Built-in high voltage MOSFET
- * Auto restart mode
- * Built-in soft start
- * Burst mode operation
- * Cycle by cycle current limit

APPLICATIONS

- * Switch power

ORDERING INFORMATION

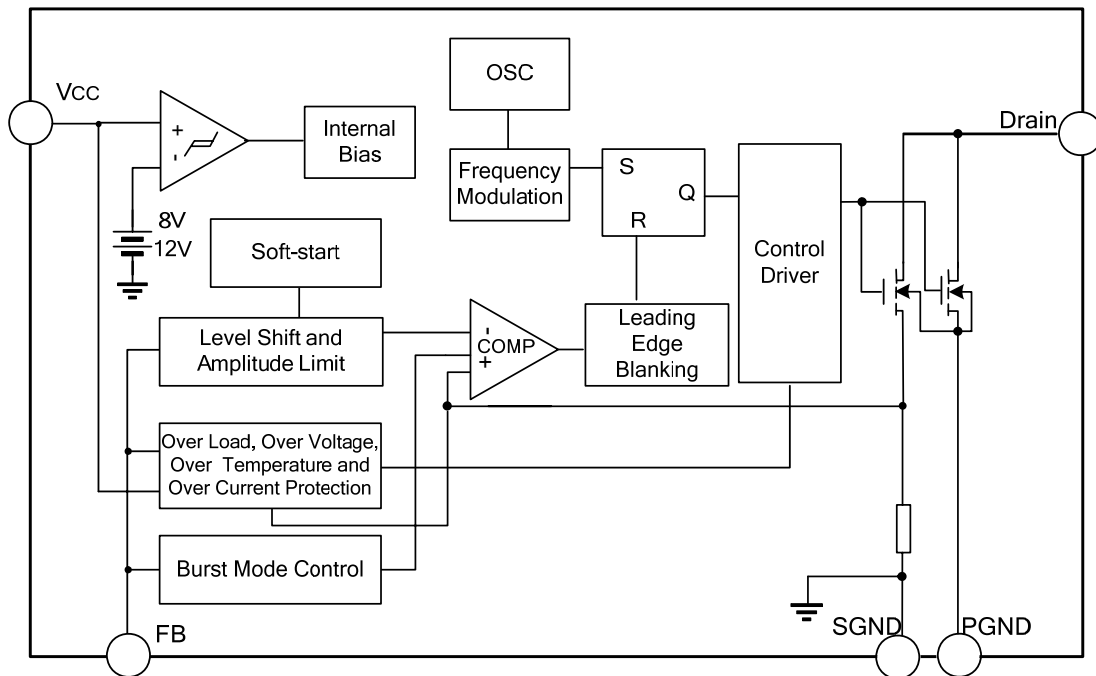
| Part No. | Package | Marking |
|--------------|----------------|--------------|
| SD4840P67K65 | DIP-8-300-2.54 | SD4840P67K65 |
| SD4841P67K65 | | SD4841P67K65 |
| SD4842P67K65 | | SD4842P67K65 |
| SD4843P67K65 | | SD4843P67K65 |
| SD4844P67K65 | | SD4844P67K65 |

Note: P denotes it is available in DIP8 package, 67k denotes 67KHz, and 65 denotes withstand voltage is 650V.

TYPICAL OUPUT POWER CAPABILITY

| Device | 190~265VAC | | 85~265VAC | |
|--------------|------------|------|-----------|------|
| | Adapter | Open | Adapter | Open |
| SD4840P67K65 | 7W | 9W | 5W | 7.2W |
| SD4841P67K65 | 10W | 14W | 8W | 12W |
| SD4842P67K65 | 12W | 17W | 10W | 14W |
| SD4843P67K65 | 14W | 19W | 12W | 15W |
| SD4844P67K65 | 16W | 21W | 14W | 18W |

BLOCK DIAGRAM



ABSOLUTE MAXIMUM RATING

| Characteristics | Symbol | Rating | Unit |
|------------------------------|------------------|--------|------|
| Drain-Gate Voltage (RGS=1MΩ) | V _{DGR} | 650 | V |
| Gate-Source (GND) Voltage | V _{GS} | ±30 | V |
| Drain Current Pulse (note1) | SD4840P67K65 | 4 | A |
| | SD4841P67K65 | 6 | |
| | SD4842P67K65 | 8 | |
| | SD4843P67K65 | 11 | |
| | SD4844P67K65 | 14 | |

| Characteristics | | Symbol | Rating | Unit |
|---|--------------|--------------|----------------|----------------|
| Continuous Drain Current ($T_{amb}=25^{\circ}C$) | SD4840P67K65 | ID | 1 | A |
| | SD4841P67K65 | | 1.5 | |
| | SD4842P67K65 | | 2 | |
| | SD4843P67K65 | | 3 | |
| | SD4844P67K65 | | 4 | |
| Signal Pulse Avalanche Energy(note 2) | SD4840P67K65 | EAS | 15 | mJ |
| | SD4841P67K65 | | 30 | |
| | SD4842P67K65 | | 68 | |
| | SD4843P67K65 | | 140 | |
| | SD4844P67K65 | | 200 | |
| Power Supply Voltage | | $V_{CC,MAX}$ | 21 | V |
| Analog Input Voltage | | VFB | -0.3~ V_{SD} | V |
| Total Power Dissipation | PD | | 1.5 | W |
| | Darting | | 0.017 | W/ $^{\circ}C$ |
| Operating Junction Temperature | | T_J | +160 | $^{\circ}C$ |
| Operating Temperature | | T_{amb} | -25~ +85 | $^{\circ}C$ |
| Storage Temperature | | TSTG | -55~+150 | $^{\circ}C$ |

Note: 1. Pulse width is limited by maximum junction temperature.

2. L=51mH, starting $T_j=25^{\circ}C$

ELECTRICAL CHARACTERISTICS (sense MOSFET part, unless otherwise specified, $T_{amb}=25^{\circ}C$)

| Characteristics | | Symbol | Test conditions | Min. | Typ. | Max. | Unit |
|--|--------------|--------------|--|------|------|------|----------|
| Drain-Source Breakdown Voltage | | BV_{DSS} | $V_{GS}=0V, I_D=50\mu A$ | 650 | -- | -- | V |
| Zero Gate Voltage Drain Current | | I_{DSS} | $V_{DS}=\text{Max. } V_{GS}=0V$ | -- | -- | 50 | μA |
| | | | $V_{DS}=0.8\text{Max. } V_{GS}=0V$ $T_{amb}=125^{\circ}C$ | -- | -- | 200 | μA |
| Static Drain- Source On Resistance | SD4840P67K65 | $R_{DS(ON)}$ | $V_{GS}=10V, I_D=0.5A$ | -- | 14.0 | 16.8 | Ω |
| | SD4841P67K65 | | | -- | 8.0 | 9.6 | |
| | SD4842P67K65 | | | -- | 5.0 | 6.0 | |
| | SD4843P67K65 | | | -- | 4.0 | 4.8 | |
| | SD4844P67K65 | | | -- | 3.0 | 3.6 | |
| Input Capacitance | SD4840P67K65 | C_{iss} | $V_{GS}=0V, V_{DS}=25V, f=1MHz$ | -- | 210 | -- | pF |
| | SD4841P67K65 | | | -- | 250 | -- | |
| | SD4842P67K65 | | | -- | 550 | -- | |
| | SD4843P67K65 | | | -- | 640 | -- | |
| | SD4844P67K65 | | | -- | 840 | -- | |
| Output Capacitance | SD4840P67K65 | C_{oss} | $V_{GS}=0V, V_{DS}=25V, f=1MHz$ | -- | 18 | -- | pF |
| | SD4841P67K65 | | | -- | 25 | -- | |
| | SD4842P67K65 | | | -- | 38 | -- | |
| | SD4843P67K65 | | | -- | 40 | -- | |
| | SD4844P67K65 | | | -- | 44 | -- | |

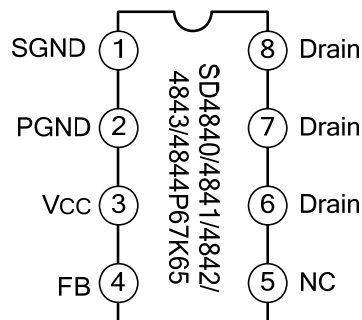
| Characteristics | | Symbol | Test conditions | Min. | Typ. | Max. | Unit |
|------------------------------|--------------|---------|------------------------------------|------|------|------|------|
| Reverse Transfer Capacitance | SD4840P67K65 | Crss | VGS=0V, VDS=25V, f=1MHz | -- | 8 | -- | pF |
| | SD4841P67K65 | | | -- | 10 | -- | |
| | SD4842P67K65 | | | -- | 17 | -- | |
| | SD4843P67K65 | | | -- | 30 | -- | |
| | SD4844P67K65 | | | -- | 40 | -- | |
| Turn On Delay Time | SD4840P67K65 | td(ON) | VDD=0.5BV _{DSS} , ID=25mA | -- | 10 | -- | nS |
| | SD4841P67K65 | | | -- | 12 | -- | |
| | SD4842P67K65 | | | -- | 20 | -- | |
| | SD4843P67K65 | | | -- | 33 | -- | |
| | SD4844P67K65 | | | -- | 40 | -- | |
| Rise Time | SD4840P67K65 | tr | VDD=0.5BV _{DSS} , ID=25mA | -- | 3 | -- | nS |
| | SD4841P67K65 | | | -- | 4 | -- | |
| | SD4842P67K65 | | | -- | 15 | -- | |
| | SD4843P67K65 | | | -- | 19 | -- | |
| | SD4844P67K65 | | | -- | 25 | -- | |
| Turn Off Delay Time | SD4840P67K65 | td(OFF) | VDD=0.5BV _{DSS} , ID=25mA | -- | 27 | -- | nS |
| | SD4841P67K65 | | | -- | 30 | -- | |
| | SD4842P67K65 | | | -- | 55 | -- | |
| | SD4843P67K65 | | | -- | 70 | -- | |
| | SD4844P67K65 | | | -- | 90 | -- | |
| Fall Time | SD4840P67K65 | tf | VDD=0.5BV _{DSS} , ID=25mA | -- | 8 | -- | nS |
| | SD4841P67K65 | | | -- | 10 | -- | |
| | SD4842P67K65 | | | -- | 25 | -- | |
| | SD4843P67K65 | | | -- | 32 | -- | |
| | SD4844P67K65 | | | -- | 42 | -- | |

ELECTRICAL CHARACTERISTICS (unless otherwise specified, Tamb=25°C)

| Characteristics | Symbol | Test conditions | Min. | Typ. | Max. | Unit |
|-----------------------------------|--------|-----------------|------|------|------|------|
| Undervoltage Section | | | | | | |
| Start Threshold Voltage | Vstart | | 11 | 12 | 13 | V |
| Stop Threshold Voltage | Vstop | | 7 | 8 | 9 | V |
| Oscillator Section | | | | | | |
| Oscillate Frequency | FOSC | | 61 | 67 | 73 | KHz |
| Frequency Jitter | FMOD | | ±1.5 | ±2.0 | ±2.5 | KHz |
| Frequency Change With Temperature | -- | 25°C≤Tamb≤+85°C | -- | ±5 | ±10 | % |
| Maximum Duty Cycle | Dmax | | 72 | 77 | 82 | % |
| Feedback Section | | | | | | |
| Feedback Source Current | IFB | 0V≤VFB≤3V | 0.7 | 0.9 | 1.1 | mA |
| Shutdown Feedback Voltage | VSD | | 5.5 | 6.0 | 6.5 | V |
| Shutdown Delay Current | Idelay | 5V≤VFB≤VSD | 3.5 | 5.0 | 6.5 | μA |

| Characteristics | Symbol | Test conditions | Min. | Typ. | Max. | Unit | |
|-------------------------------|--------------------|----------------------|-----------------------|------|------|------|---|
| Built-in Soft Start Time | t_s | VFB=4V | 10 | 15 | 20 | ms | |
| Current Limit | | | | | | | |
| Peak Current Limit | SD4840P67K65 | I _{over} | Max. inductor current | 0.53 | 0.60 | 0.67 | A |
| | SD4841P67K65 | | | 0.67 | 0.75 | 0.83 | |
| | SD4842P67K65 | | | 0.80 | 0.90 | 1.00 | |
| | SD4843P67K65 | | | 1.10 | 1.20 | 1.30 | |
| | SD4844P67K65 | | | 1.35 | 1.50 | 1.65 | |
| Burst mode | | | | | | | |
| Burst Mode High Voltage | V _{BURH} | | 0.4 | 0.5 | 0.6 | V | |
| Burst Mode Low Voltage | V _{BURL} | | 0.25 | 0.35 | 0.45 | V | |
| Protection Section | | | | | | | |
| Overvoltage Protection | V _{ovp} | | 18 | 19 | -- | V | |
| Thermal Shutdown | T _{sd} | | 125 | 140 | -- | °C | |
| Leading-edge Blanking Time | T _{LEB} | | 200 | -- | -- | ns | |
| Total Standby Current | | | | | | | |
| Start Current | I _{start} | V _{CC} =11V | -- | 6 | 20 | μA | |
| Supply Current (Control Part) | I _{op} | V _{CC} =12V | 1 | 3 | 5 | mA | |

PIN CONFIGURATION



PIN DESCRIPTION

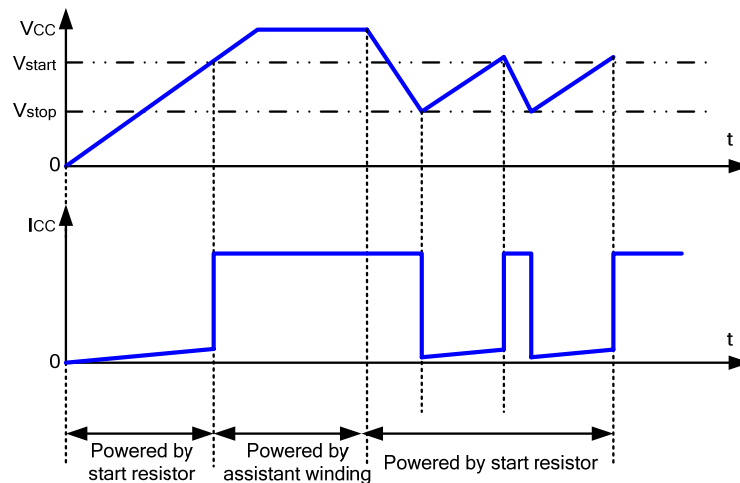
| Pin No. | Pin Name | I/O | Function description |
|---------|----------|-----|--------------------------|
| 1 | SGND | - | Ground for control part. |
| 2 | PGND | - | MOSFET Ground. |
| 3 | VCC | - | Power supply pin. |
| 4 | FB | I/O | Feedback input pin. |
| 5 | NC | - | Not connected. |
| 6,7,8 | Drain | O | Drain pins. |

FUNCTION DESCRIPTION

SD4840/4841/4842/4843/4844 is designed for off-line SMPS, consisting of high voltage MOSFET, optimized gate driver and current mode PWM controller which includes frequency oscillator and various protections such as undervoltage lockout, overvoltage protection, overcurrent protection and overtemperature protection. Frequency jitter generated from oscillator is used to lower EMI and built-in soft start is used for reducing transformer stress when the circuit is powered on. Burst mode is adopted during light load to lower standby power dissipation, and function of lead edge blanking eliminates the MOSFET error shutdown caused by interference through minimizing MOSFET turning on time. Few peripheral components are needed for higher efficiency and higher reliability and it is suitable for flyback converter and forward converter.

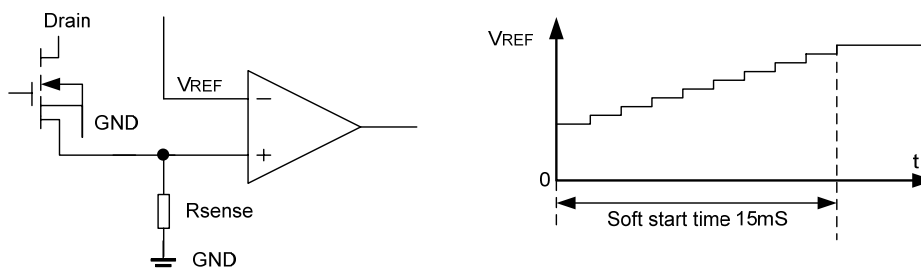
1. Under Voltage Lockout and Self-Start

At the beginning, the capacitor connected to pin VCC is charged via start resistor by high voltage AC and the circuit start to work if voltage at Vcc is 12V. The output is shutdown if there is any protection during normal operation and Vcc is decreased because of powering of auxiliary winding. The whole control circuit is shutdown if voltage at Vcc is 8V below to lower current dissipation and the capacitor is recharged for restarting.



2. Built-In Soft Start Circuit

In order to decrease transformer stress and to prevent its saturation during power on, it is recommended to increase peak current value of primary winding slowly by increasing feedback voltage slowly. After about 15ms, the soft start is completed and it has no effect on normal operation.



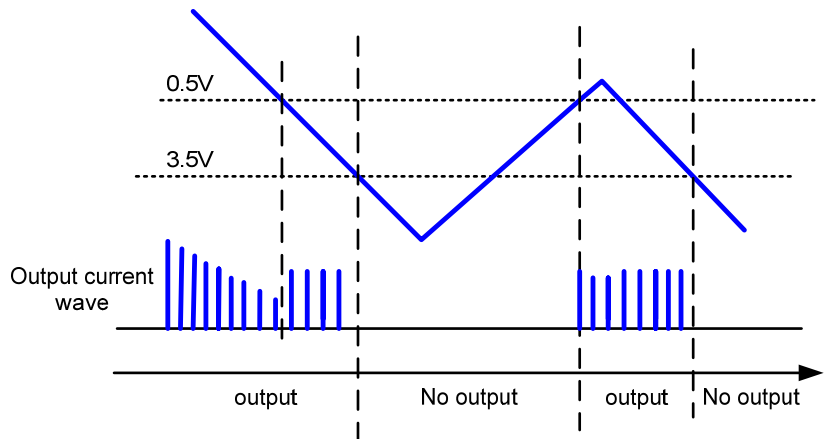
3. Frequency Jitter

The oscillation frequency is kept changed for low EMI and decreasing radiation on one frequency. The oscillation frequency changes within a very small range to simplify EMI design. The rule of frequency changing: change from 65KHz to 69KHz.

4. Light Load Mode

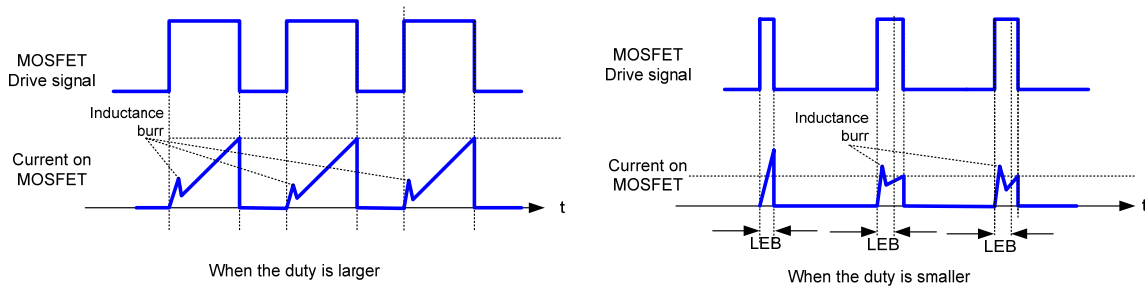
Working in this mode to reduce power dissipation. It works normally when FB is 500mV above and during $350\text{mV} < \text{FB} < 500\text{mV}$, there are two different conditions: when FB changes from low to high, there is no action for switch and it is the same with condition of FB lower than 350mV; the other is that FB changes from high to low, comparison value is increased for increasing turning on time to decrease switch loss.

For this mode, during FB changes from high to low, the output voltage increases (increasing speed is decided by load) because of the high comparison value to decrease FB until it is 350mV below; when $\text{FB} < 350\text{mV}$, there is no action for switch and output voltage decrease (decreasing speed is also decided by load) to increase FB. This is repeated to decrease action of switch for lower power dissipation.



5. Leading Edge Blanking

For this current-controlled circuit, there is pulse peak current during the transient of switch turning on and there is an error operation if the current is sampled during this time. And leading edge blanking is adopted to eliminate this error operation. The output of PWM comparator is used for controlling shutdown after the leading edge blanking if there is any output drive.



6. Over Voltage Protection

The output is shutdown if voltage at Vcc exceeds the threshold and this state is kept until the circuit is powered on reset.

7. Overload Protection

FB voltage increase if there is overload and the output is shutdown when FB voltage is up to the feedback shutdown voltage. This state is kept until the circuit is powered on reset.

8. Peak Current Limit Cycle By Cycle

During each cycle, the peak current value is decided by the comparison value of the comparator, which will not exceed the peak current limited value to guarantee the current on MOSFET will not be more than the rating current. The output power will not increase if the current reaches the peak value to limit the max. output power. The output voltage decreases and FB voltage increases if there is overload and corresponding protection occurs.

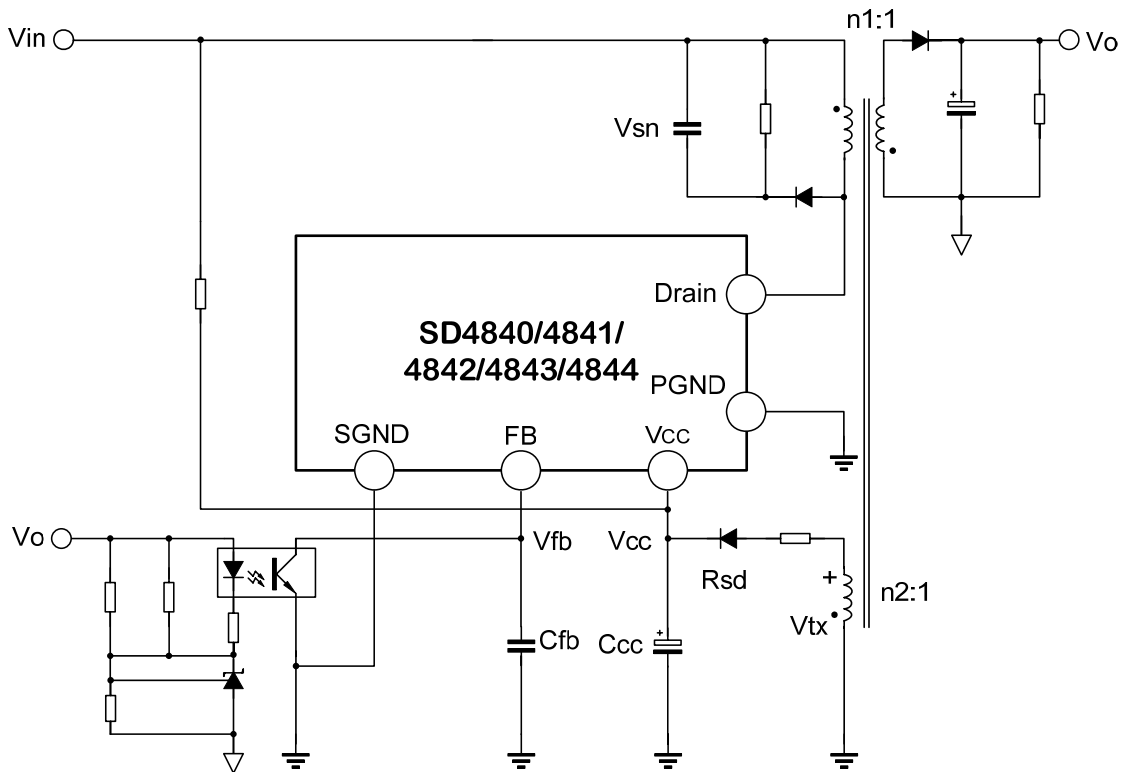
9. Abnormal Over Current Protection

That secondary diode is short, or the transformer is short will cause this event. At this time, once it is over current in spite of the leading edge blanking (L.E.B) time, protection will begin after 350nS, and is active for every cycle. When the voltage on the current sense resistor is 1.6V, this protection will occur and the output is shut down. This state is kept until the under voltage occurs, and the circuit will start.

10. Thermal Shutdown

If the circuit is over temperature, the over temperature protection will shut down the output to prevent the circuit from damage. This state is kept until the under voltage occurs, and the circuit will start.

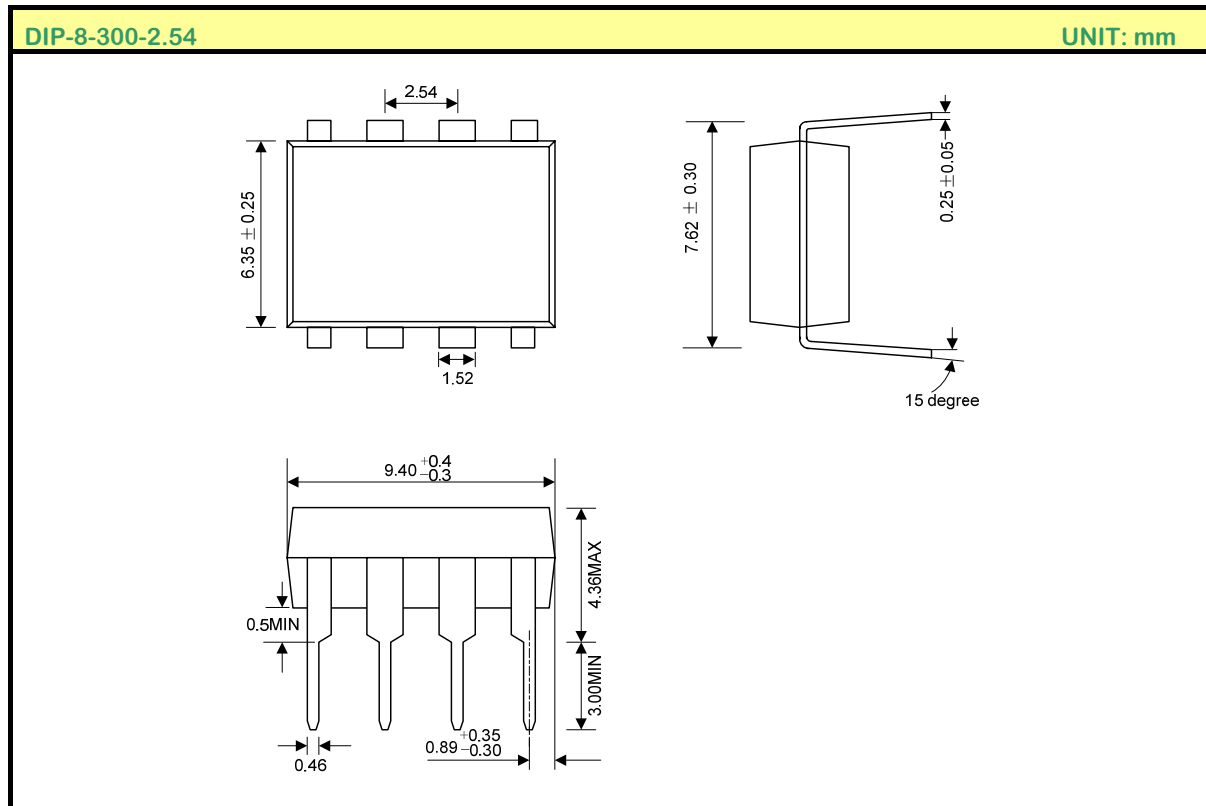
TYPICAL APPLICATION CIRCUIT



Note:

1. The circuit and parameters are for reference only, please set the parameters of the real application circuit based on the real test.
2. Better not to place VCC winding as inner coil.

PACKAGE OUTLINE



MOS DEVICES OPERATE NOTES:

Electrostatic charges may exist in many things. Please take following preventive measures to prevent effectively the MOS electric circuit as a result of the damage which is caused by discharge:

- The operator must put on wrist strap which should be earthed to against electrostatic.
- Equipment cases should be earthed.
- All tools used during assembly, including soldering tools and solder baths, must be earthed.
- MOS devices should be packed in antistatic/conductive containers for transportation.

Note: Silan reserves the right to make changes without notice in this specification for the improvement of the design and performance.
Silan will supply the best possible product for customers.



Attachment

Revision History

| Data | REV | Description | Page |
|------------|-----|---|------|
| 2008.07.07 | 1.0 | Original | |
| 2008.11.06 | 1.1 | Modify the "BLOCK DIAGRAM" and "FUNCTION DESCRIPTION" | |
| 2008.12.17 | 1.2 | Add the note for "TYPICAL APPLICATION CIRCUIT" | |