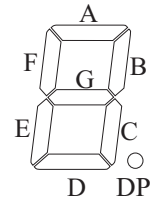
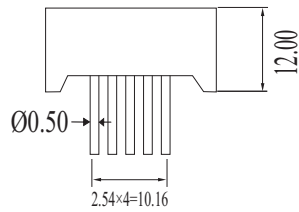
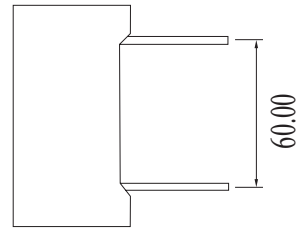
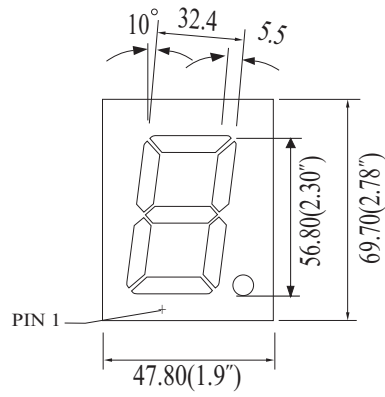


## PACKAGE DIMENSION

**E12301**



UNIT: MM(INCH) TOLERANCE:  $\pm 0.25(0.01")$

## INTERNAL CIRCUIT DIAGRAM

