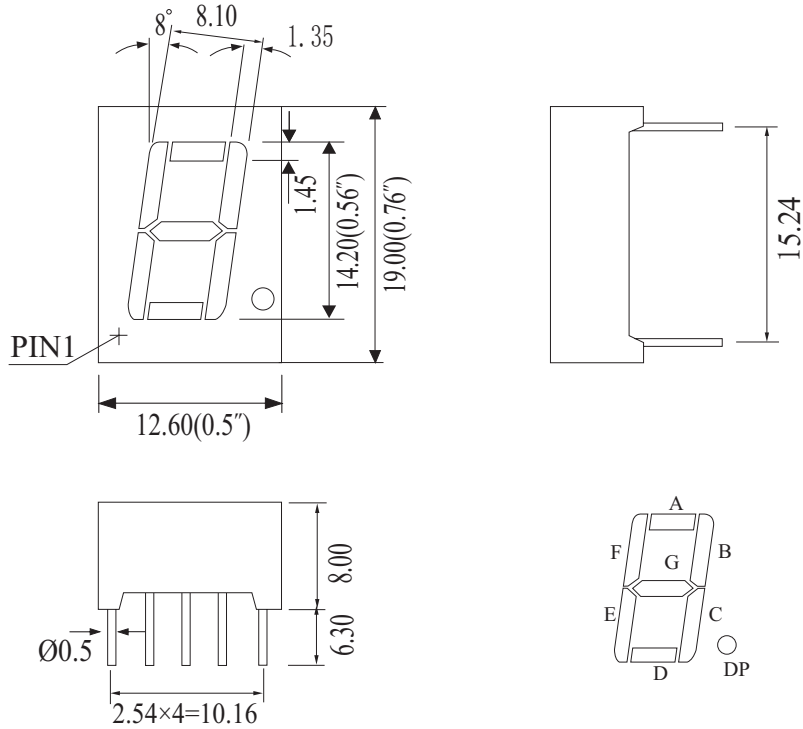


PACKAGE DIMENSION

E10561



UNIT: MM(INCH) TOLERANCE: $\pm 0.25(0.01'')$

INTERNAL CIRCUIT DIAGRAM

